

# SURE-LITES®



## VRX SERIES

**Thin Profile  
High-Abuse**

**AC Only  
Self-Powered**

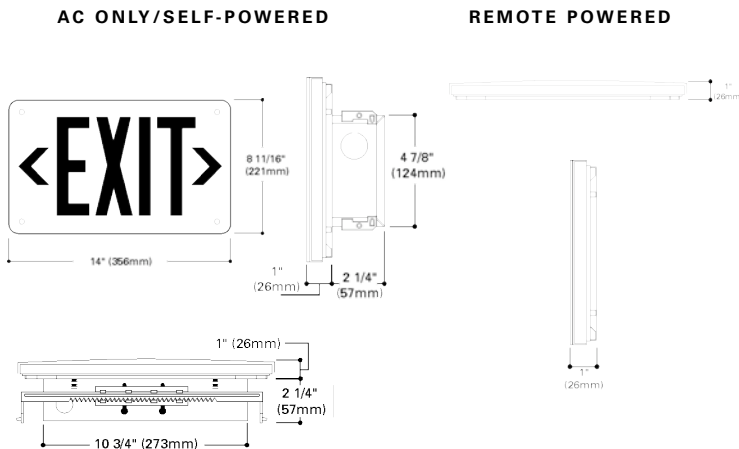
### EXIT LIGHTING

- > Dual-voltage input 120/277 VAC, 60 Hz
- > Die cast aluminum faceplate exposed unit thickness is 1"
- > 20 gauge recessed housing fits in 2x4 construction
- > 18 gauge mounting plate with clearance holes for 1/4" fasteners
- > LED lamp panel provides uniform light output
- > Convex .125" polycarbonate Vandal Shield standard
- > Centerpin Torx tamper resistant screws
- > NFPA compliant knockout chevrons allow quick conversion to directional signs
- > Adjustable hanger bars
- > EPDM shock-absorbing gasket between mounting plate and wall
- > Self-powered Exits feature line-latching, solid-state voltage limited charger, solid-state switching, low-voltage disconnect, brownout circuit, overload/short-circuit protection, test switch/ power indicator light
- > UL 924 Listed, Life Safety NFPA 101, NEC/OSHA, UL Listed as suitable for floor proximity installation, most state and local codes

### DESCRIPTION

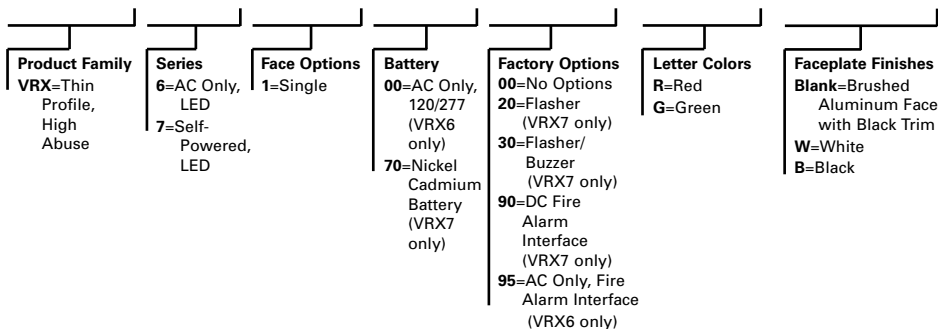
The VRX Thin Profile High-Abuse Exit Series combines the strength of die cast aluminum, the profile of a recessed design and the superior aesthetics of Sure-Lites LED technology to create an exit with optimum versatility and aesthetics. The VRX Series faceplate/mounting plate/lens is only 1" thick, yielding a sign with minimal off-wall protrusion without requiring the large wall opening of a fully recessed exit. The VRX Series also includes a Remote Powered Exit which can be powered from a VRX Series AC Only or Self Powered Exit.

### DIMENSIONS



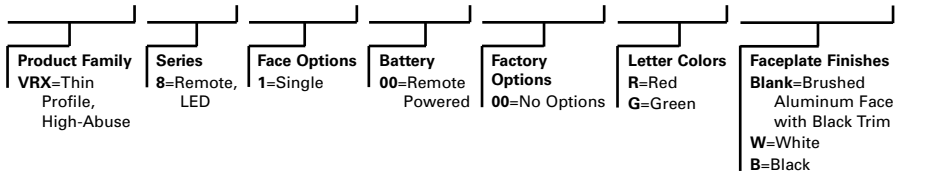
### ORDERING INFORMATION - AC ONLY EXITS / SELF-POWERED EXITS

SAMPLE NUMBER: VRX610000RB



### ORDERING INFORMATION - REMOTE POWERED LED EXITS

SAMPLE NUMBER: VRX810000RB



### Energy Data

#### LED EXITS-AC ONLY

	Input Power;		Input Current (Max.):		Power Factor:		T.H.D.:	
	120V	277V	120V	277V	120V	277V	120V	277V
Red Letters Single Face	5.6W	5.7W	.07A	.03A	>.71	>.71	<36%	<36%
Red Letters Single Face with Remote	7.3W	7.3W	.07A	.03A	>.83	>.83	<33%	<34%
Green Letters Single Face	6.7W	6.8W	.07A	.03A	>.79	>.79	<30%	<31%
Green Letters Single Face with Remote	9.5W	9.7W	.09A	.04A	>.90	>.90	<26%	<27%

#### Remote Powered

Red Letters Single Face	2.0 watts additional
Green Letters Single Face	2.5 watts additional

### Energy Data

#### Sealed Nickel Cadmium Battery-LED Exit

	Input Power;		Input Current (Max.):		Power Factor:		T.H.D.:	
	120V	277V	120V	277V	120V	277V	120V	277V
Red Letters Single Face	7.4W	7.5W	.08A	.04A	>.72	>.72	<34%	<34%
Red Letters Single Face with Remote	9.3W	9.5W	.08A	.04A	>.84	>.84	<31%	<32%
Green Letters Single Face	8.5W	8.7W	.09A	.04A	>.79	>.79	<30%	<31%
Green Letters Single Face with Remote	11.4W	11.7W	.11A	.05A	>.90	>.90	<26%	<26%